



88 Series IP67 heatsink cases

TAKACHI

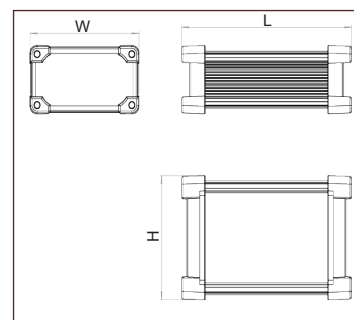
Product overview

IP67, EMC shielded aluminium heatsink enclosures.

- Heavy duty enclosure, heatsink extrusion body and diecast panels
- EMI-shielded (non-shielded available upon request)
- PCB or chassis are horizontally mountable by sliding into grooved inner body frame
- Designed for tough environments; heavy duty, waterproof and resistant to high temperatures
- Suitable for measuring instruments, industrial controls, industrial camera housing
- 88 series has been designed to meet the requirements of IP67



SPECIFICATION	
Material	Lid - aluminium (powder coated) Body - aluminium (anodised)
Protection class	88 series has been designed to meet the requirements of IP67
Operating temperature	-40°C to +105°C
Standard colours	Black or silver
Standard unit includes	x2 ends, body 8x steel screws IP casting in hole



SIZE	BLACK	SILVER	LENGTH	WIDTH	HEIGHT
2	CDM8802BK	CDM8802SL	110mm	65.8mm	65.8mm
4	CDM8804BK	CDM8804SL	200mm	65.8mm	65.8mm
7	CDM8807BK	CDM8807SL	115mm	80.8mm	45.8mm
9	CDM8809BK	CDM8809SL	175mm	80.8mm	45.8mm
11	CDM8811BK	CDM8811SL	125mm	86.3mm	86.3mm
13	CDM8813BK	CDM8813SL	220mm	86.3mm	86.3mm
16	CDM8816BK	CDM8816SL	150mm	106.3mm	56.3mm
18	CDM8818BK	CDM8818SL	240mm	106.3mm	56.3mm
20	CDM8820BK	CDM8820SL	175mm	156.3mm	81.3mm
22	CDM8822BK	CDM8822SL	275mm	156.3mm	81.3mm

ACCESSORIES

Silicone boots

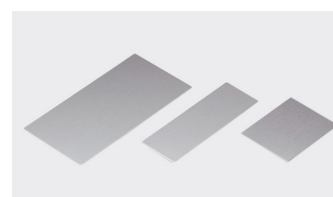
BLACK	LENGTH	WIDTH	HEIGHT	DESCRIPTION
CDM88B1BK	31mm	72.4mm	73.6mm	Suits sizes 2 and 4
CDM88B2BK	31mm	87.4mm	53.6mm	Suits sizes 7 and 9
CDM88B3BK	35.5mm	93.9mm	95.1mm	Suits sizes 11 and 13
CDM88B4BK	35.5mm	113.9mm	65.1mm	Suits sizes 16 and 18
CDM88B5BK	35.5mm	163.9mm	90.1mm	Suits sizes 20 and 22



Other colours available on request

Mounting plates

PART NO.	LENGTH	WIDTH	DESCRIPTION	PART NO.	LENGTH	WIDTH	DESCRIPTION
CDM88MP02	94mm	47mm	Suits size 2	CDM88MP13	201mm	66.5mm	Suits size 13
CDM88MP04	184mm	47mm	Suits size 4	CDM88MP16	130.6mm	86.5mm	Suits size 16
CDM88MP07	99mm	61.8mm	Suits size 7	CDM88MP18	220.6mm	86.5mm	Suits size 18
CDM88MP09	159mm	61.8mm	Suits size 9	CDM88MP20	155.6mm	136.3mm	Suits size 20
CDM88MP11	106mm	66.5mm	Suits size 11	CDM88MP22	255.6mm	136.3mm	Suits size 22



88 series IP67 wall mounting heatsink cases

Product overview

IP67, EMC shielded aluminium heatsink enclosures.

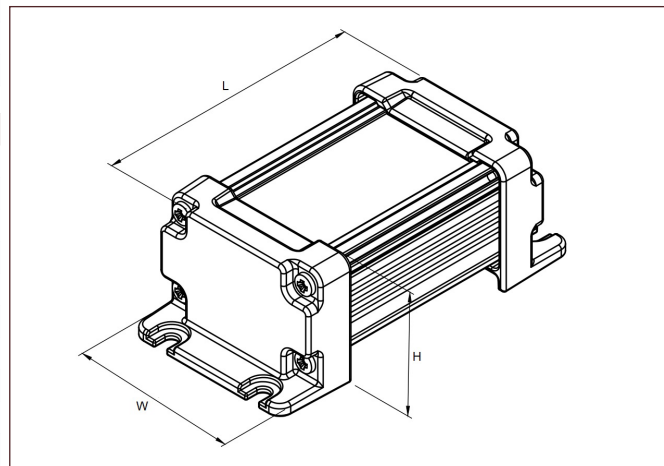
- Heavy duty enclosure, heatsink extrusion body and diecast panels, wall mounting
- EMI-shielded (non-shielded available upon request)
- PCB or chassis are horizontally mountable by sliding into grooved inner body frame
- Designed for tough environments; heavy duty, waterproof and resistant to high temperatures.
- Suitable for measuring instruments, industrial controls, industrial camera housing
- 88 series has been designed to meet the requirements of IP67



SIZE	BLACK	LENGTH	WIDTH	HEIGHT
2	CDM8802BK/FL	110mm	65.8mm	65.8mm
4	CDM8804BK/FL	200mm	65.8mm	65.8mm
7	CDM8807BK/FL	115mm	80.8mm	45.8mm
9	CDM8809BK/FL	175mm	80.8mm	45.8mm
11	CDM8811BK/FL	125mm	86.3mm	86.3mm
13	CDM8813BK/FL	220mm	86.3mm	86.3mm
16	CDM8816BK/FL	150mm	106.3mm	56.3mm
18	CDM8818BK/FL	240mm	106.3mm	56.3mm
20	CDM8820BK/FL	175mm	156.3mm	81.3mm
22	CDM8822BK/FL	275mm	156.3mm	81.3mm

SPECIFICATION	
Material	Ends - aluminium (powder coated) Body - aluminium (anodised)
Protection class	88 series has been designed to meet the requirements of IP67
Operating temperature	-40°C to +105°C
Standard colours	Black or silver
Standard unit includes	2x ends, body 8x steel screws IP casting in hole

SIZE	SILVER	LENGTH	WIDTH	HEIGHT
2	CDM8802SL/FL	110mm	65.8mm	65.8mm
4	CDM8804SL/FL	200mm	65.8mm	65.8mm
7	CDM8807SL/FL	115mm	80.8mm	45.8mm
9	CDM8809SL/FL	175mm	80.8mm	45.8mm
11	CDM8811SL/FL	125mm	86.3mm	86.3mm
13	CDM8813SL/FL	220mm	86.3mm	86.3mm
16	CDM8816SL/FL	150mm	106.3mm	56.3mm
18	CDM8818SL/FL	240mm	106.3mm	56.3mm
20	CDM8820SL/FL	175mm	156.3mm	81.3mm
22	CDM8822SL/FL	275mm	156.3mm	81.3mm



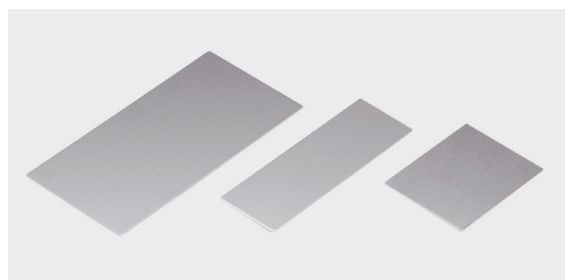
KEY FEATURES

Heat resistant | Highly waterproof | Wall mounting



ACCESSORIES

Mounting plates



PART NO.	LENGTH	WIDTH	DESCRIPTION
CDM88MP02	94mm	47mm	Suits size 2
CDM88MP04	184mm	47mm	Suits size 4
CDM88MP07	99mm	61.8mm	Suits size 7
CDM88MP09	159mm	61.8mm	Suits size 9
CDM88MP11	106mm	66.5mm	Suits size 11
CDM88MP13	201mm	66.5mm	Suits size 13
CDM88MP16	130.6mm	86.5mm	Suits size 16
CDM88MP18	220.6mm	86.5mm	Suits size 18
CDM88MP20	155.6mm	136.3mm	Suits size 20
CDM88MP22	255.6mm	136.3mm	Suits size 22